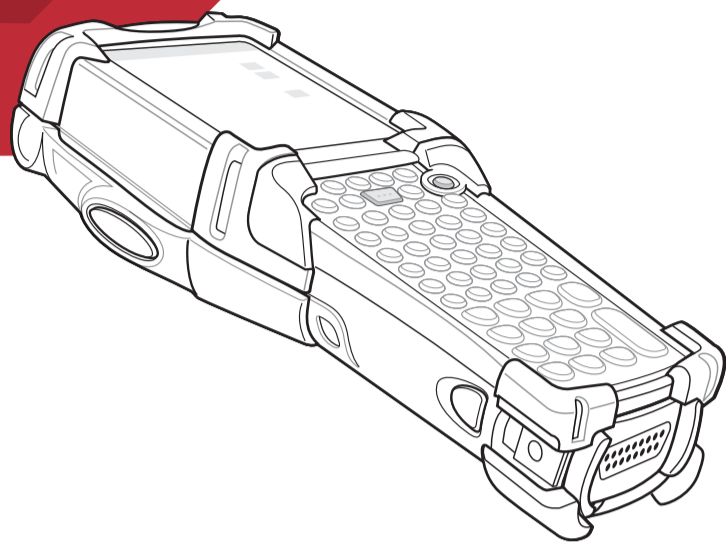


MC9000-K Quick Start Guide

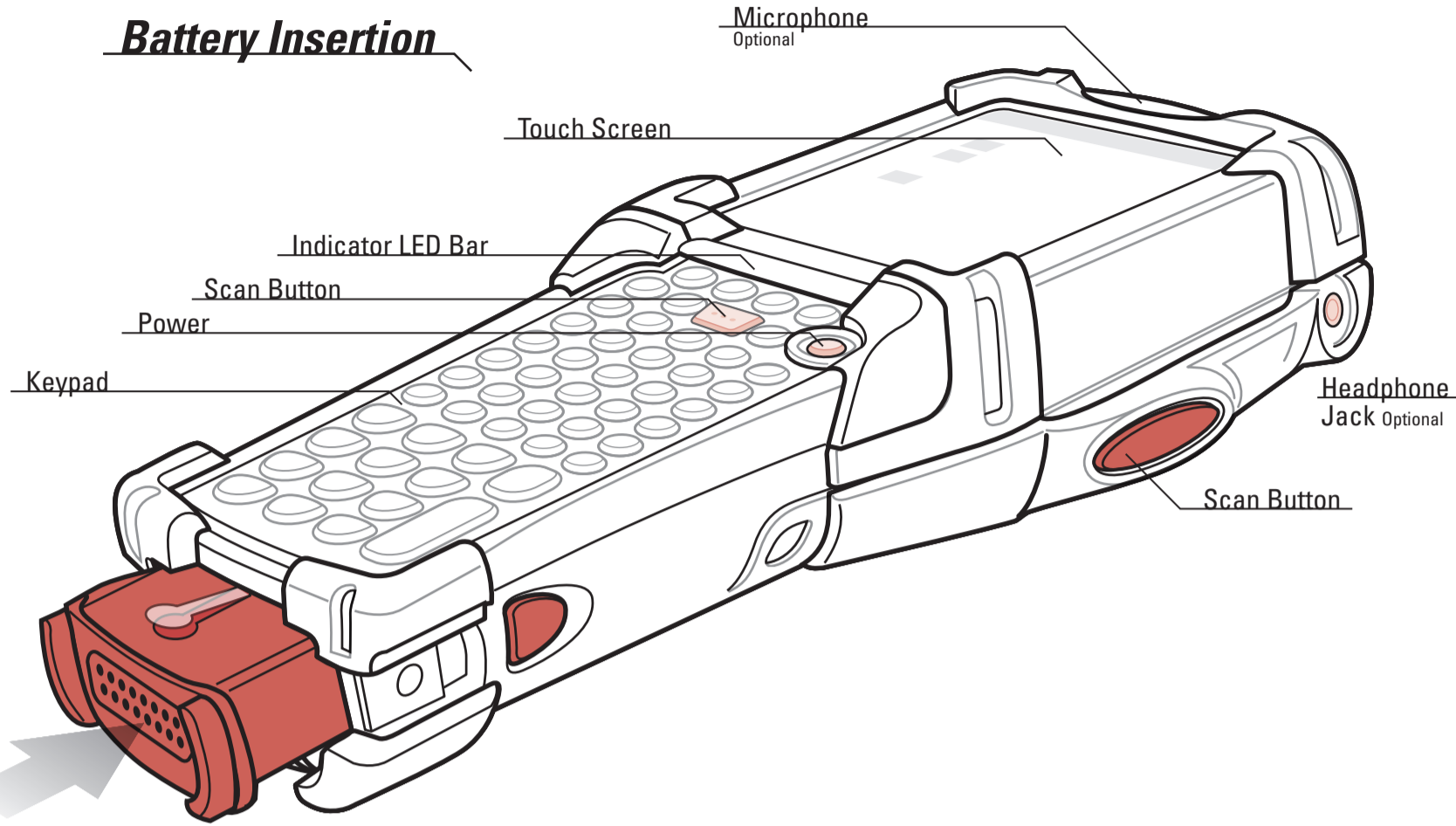
<http://www.symbol.com/mc9000-k>

See Product Reference Guide for more information

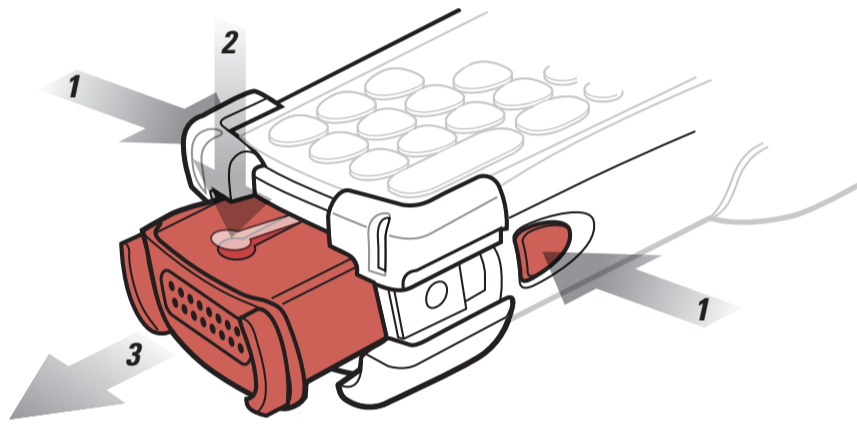
POST IN WORK AREA



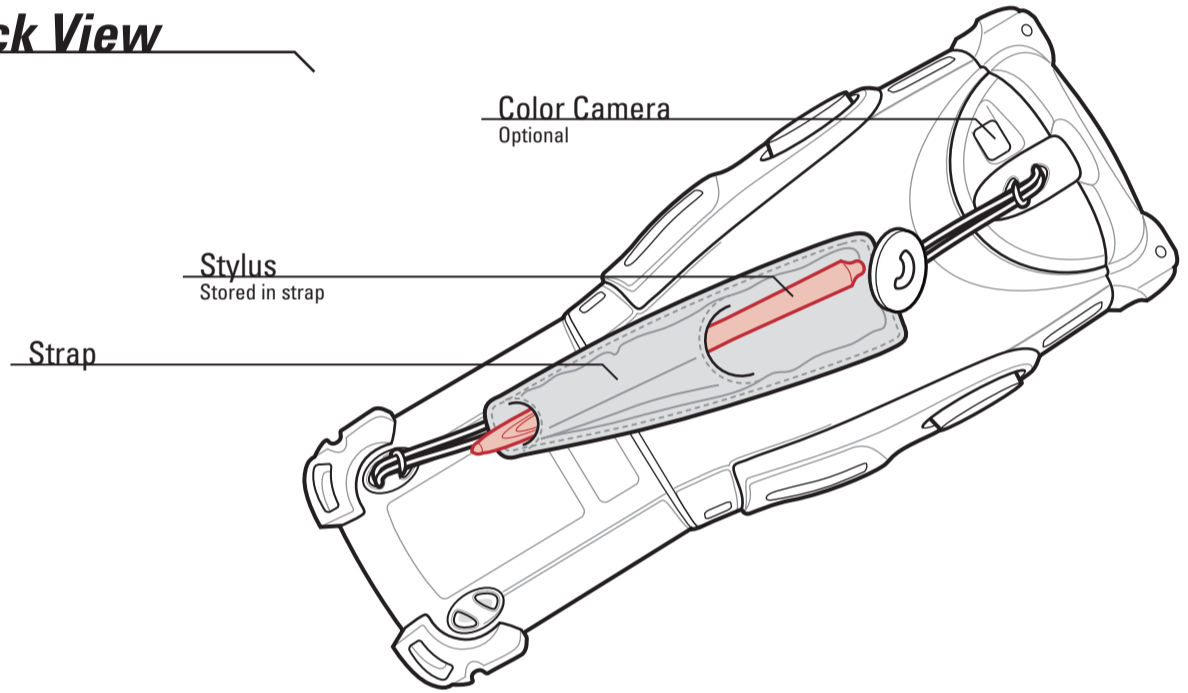
Battery Insertion



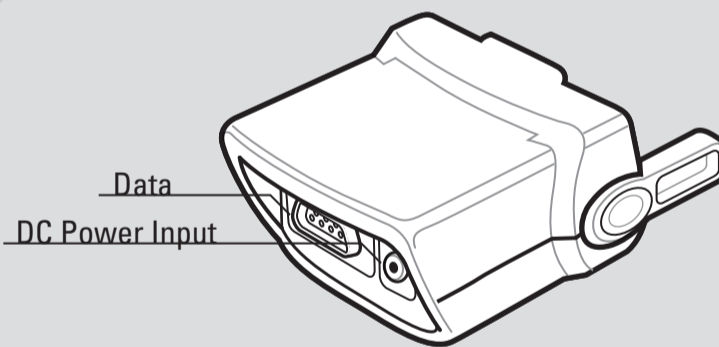
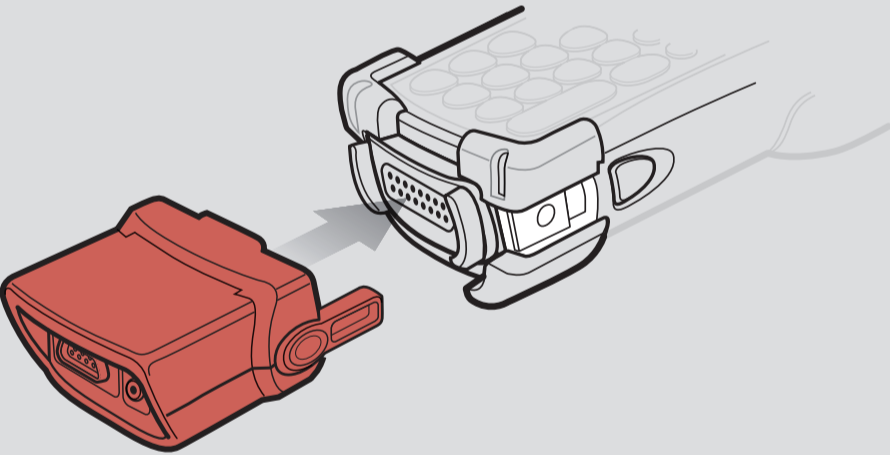
Battery Removal



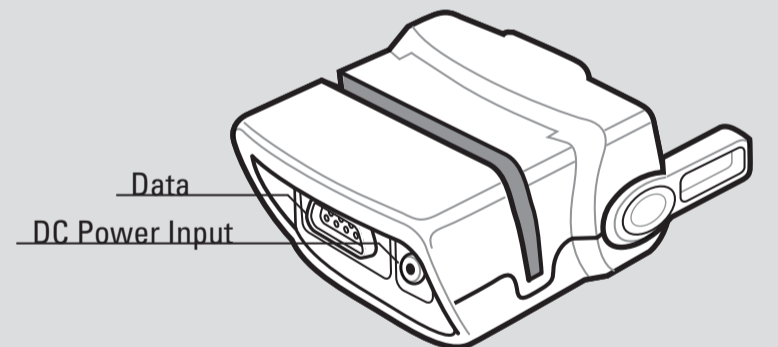
Back View



Snap-on Accessory Installation



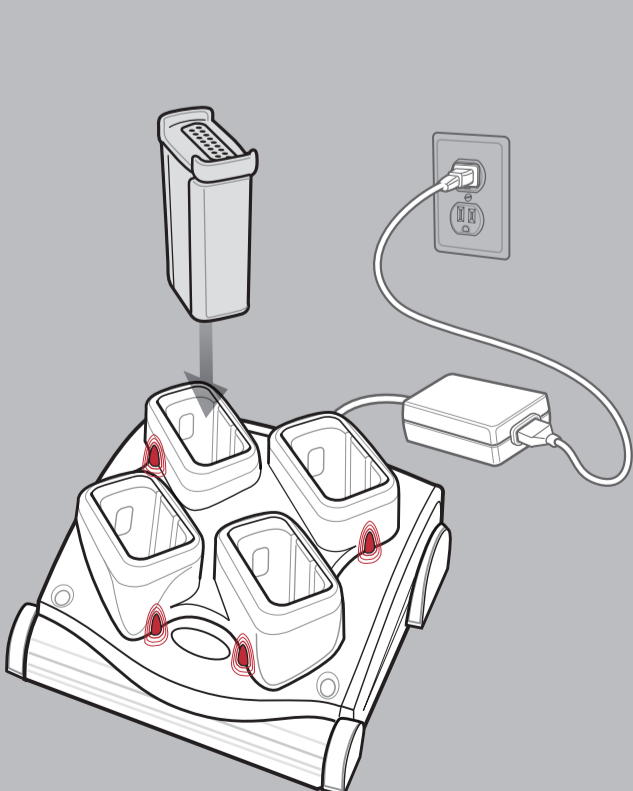
Cable Adapter Module



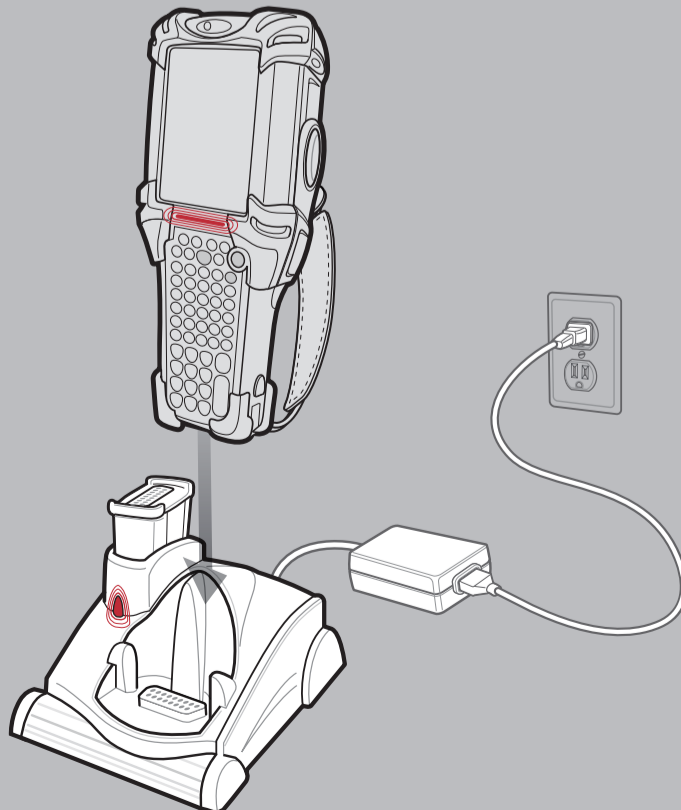
Magnetic Stripe Reader

Charging Instructions

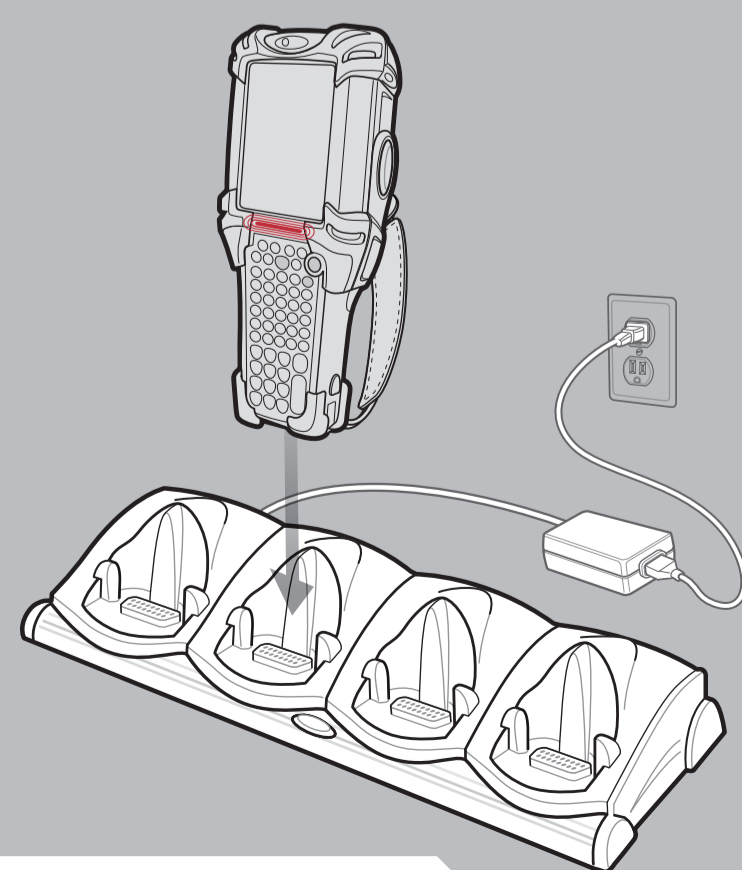
● = LED Indicator Location
Slow Flash = Normal Charge | Solid Amber = Full Charge | Fast Flash = Charging Error



Four Slot Spare Battery Charger



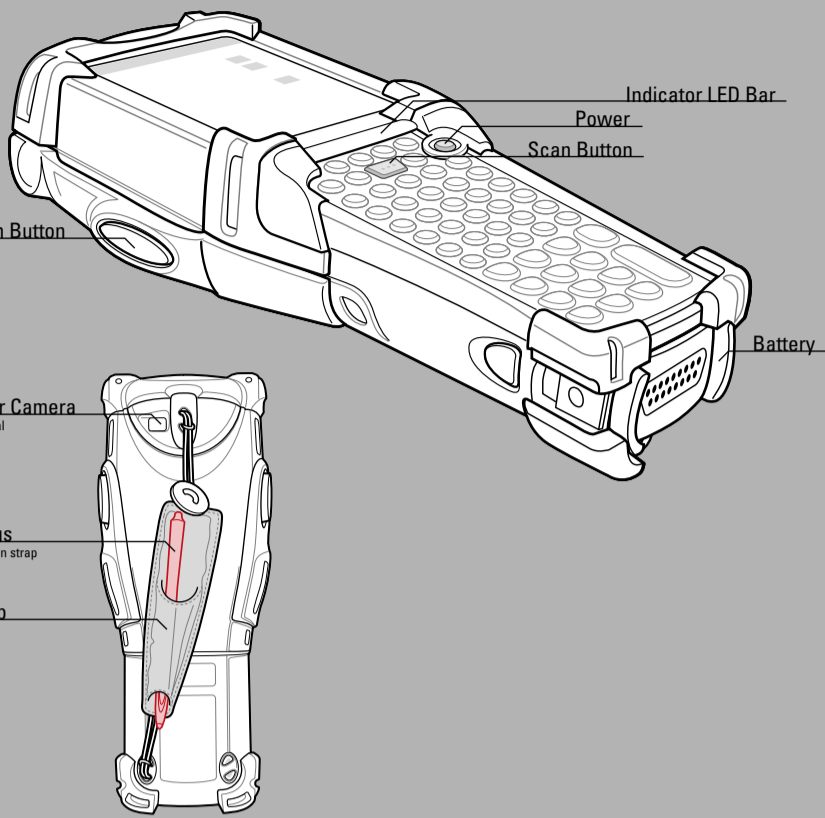
Single Slot Serial/USB Cradle



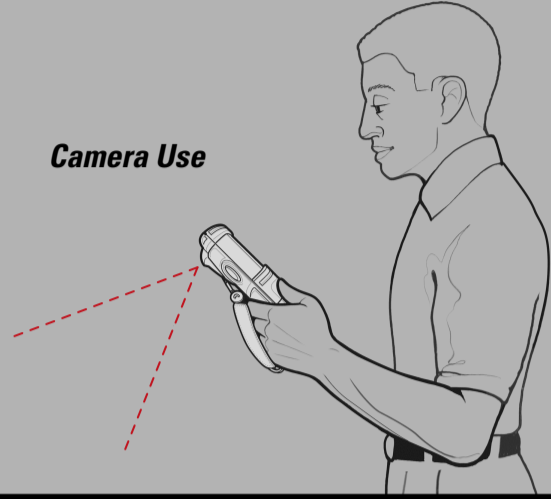
Four Slot Cradles

Charge-Only Cradle and Ethernet Cradle

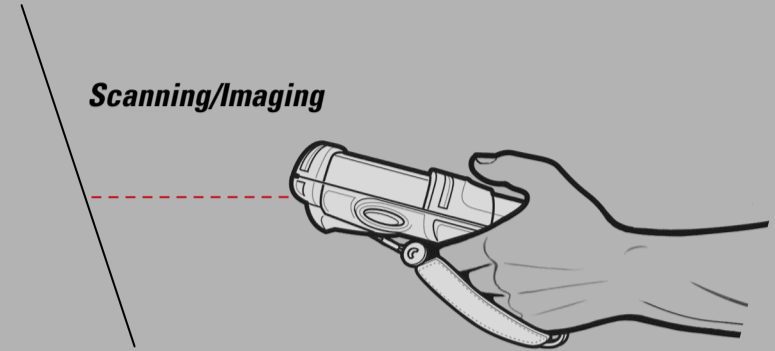
Optimum Imaging and Scanning Positions



Camera Use



Scanning/Imaging



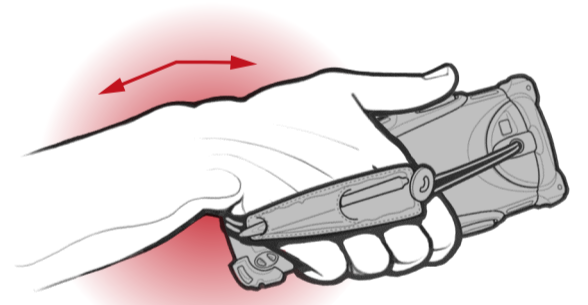
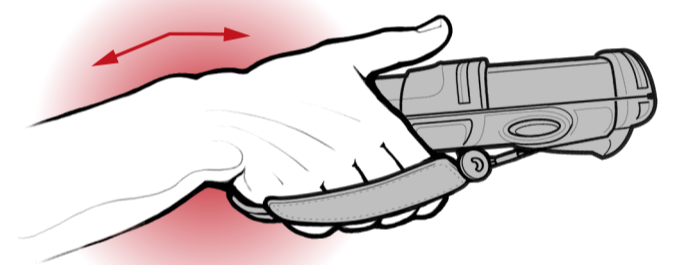
Optimum Upright Body Postures



Avoid Extreme Wrist Angles



AVOID EXTREME WRIST ANGLES



Optimum Body Posture for Low Scanning

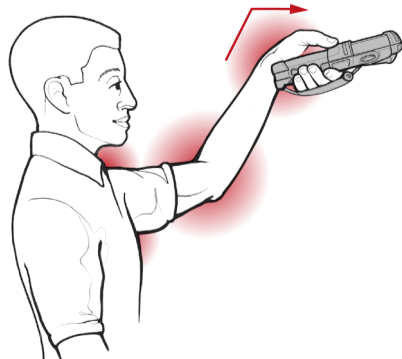
ALTERNATE LEFT AND RIGHT KNEES



AVOID BENDING

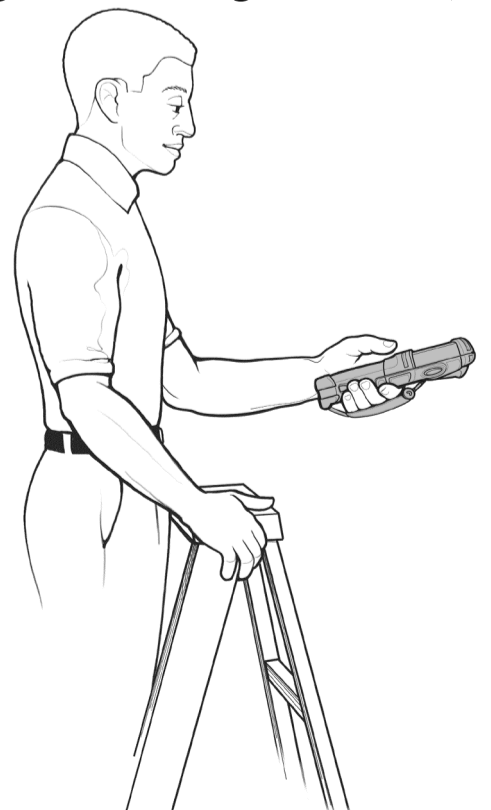


AVOID REACHING



Optimum Body Posture for High Scanning

USE A LADDER



72-65257-01 Rev A October 2003